

+ SECURITY SCREEN TESTING

Testing of UlltraSafe security screens was performed at Azuma Designs NATA accredited test Laboratory during May and June of 2016 to comply with the relevant Australian Standards. The tests undertaken were:

FORCED ENTRY TESTING TO AS5039

- + **DYNAMIC IMPACT TEST:** Simulating a physical attack on the screen mesh to attempt to force the mesh out of the frame and gain entry
- + **LOCK ATTACK:** Consisting of a jemmy test on all locking points with a lever to attempt to break into or release the locking mechanism and gain entry

- + **HINGE ATTACK:** Consisting of a jemmy test on all hinge points with a lever to attempt to break into or release the hinge and gain entry

- + **KNIFE SHEAR TEST:** Simulating an attack on the mesh with a very sharp knife to attempt to cut the mesh and gain entry

SIMULATED WIND DRIVEN DEBRIS IMPACT TEST

- + **IMPACT TEST:** A 4 kilogram piece of hardwood impacting the screen at a velocity of 29m/s (104.4km/h) followed by 8mm steel balls impacting the screen at the same velocity of 29m/s.

FORCED ENTRY TEST DETAILS

SCREEN	SIZE	TEST #	TEST DATE
REBATED WINDOW SCREEN	1500 x 900	AZT0173.16	May 23 rd 2016
FACE FIXED WINDOW SCREEN	1500 x 900	AZT0174.16	May 24 th 2016
HINGED SCREEN DOOR - AUSTRAL LOCK	2035 x 870	AZT0175.16	May 23 rd 2016
SLICING SCREEN DOOR - AUSTRAL LOCK	2070 x 1250	AZT0176.16	May 23 rd 2016
HINGED SCREEN DOOR - ASSA ABLOY LOCK	2040 x 870	AZT0234.16	May 23 rd 2016

SIMULATED WIND DRIVEN DEBRIS IMPACT TEST DETAILS

SCREEN	SIZE	TEST #	TEST DATE
FACE FIXED WINDOW SCREEN	1500 x 1800	AZT0268.16	June 15 th 2016



+ CONSIDER ULLTRASAFE FOR VERSATILITY & CREATIVE DESIGN OPTIONS ON YOUR NEXT PROJECT.

Wintec Systems offers a range of building products designed to exceed all relevant Australian standards. Be it weather or energy efficient door & windows, low maintenance exterior cladding, or our innovative security screens - Wintec Systems has the product.

Introducing Ulltrasafe - now you and your family can feel ultra-safe knowing you are protected by one of the most innovative security window and door screen systems on the market.

Our Ulltrasafe design allows a clear unobstructed view of the outdoors, while protecting your family and home. Ulltrasafe integrates seamlessly within your home and works smarter to give you

peace of mind, without sacrificing your lifestyle.

All Ulltrasafe Security window and door screens are manufactured using stainless steel woven mesh, high grade innovatively designed Aluminium framing and high security hardware. When all these elements are combined they exceed all Australian standards.

Wintec Systems Ulltrasafe security products are designed and tested to withstand the harshest of Australian conditions including cyclonic debris requirements allowing you to secure your home without losing the luxury of openness.

Ulltrasafe's unique design allows assembly without the need for screws, rivets or pins eliminating any possible cause for corrosion.

 07 5535 4477 | www.wintecsystems.com.au

 1300 650 075 | www.ullrich.com.au

UlltraSafe

+ SECURITY SCREENS



2017
PRODUCT
BROCHURE

TECH- NICAL INFO



MATERIALS & COMPLIANCE

Ulltrasafe framing is extruded from 6063 T6 premium grade aluminium alloy. The woven wire mesh is manufactured from 316 grade stainless steel to ensure corrosion resistance and strength. The system is tested to exceed all Australian Standards. And is backed by an extensive warranty.

APPLICATIONS

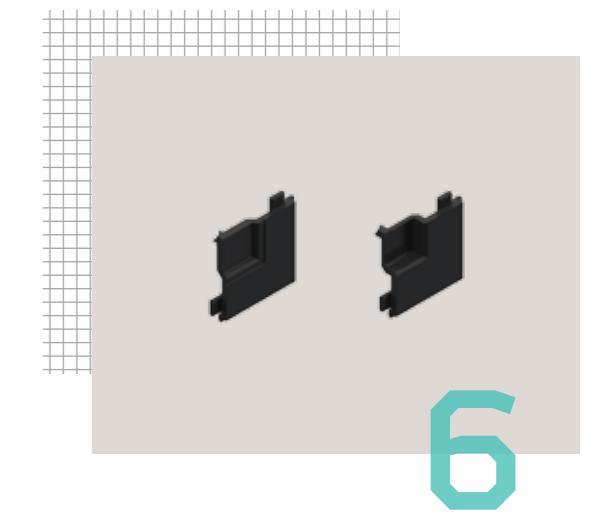
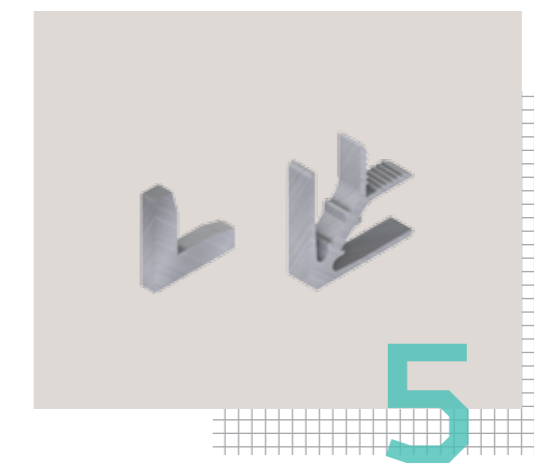
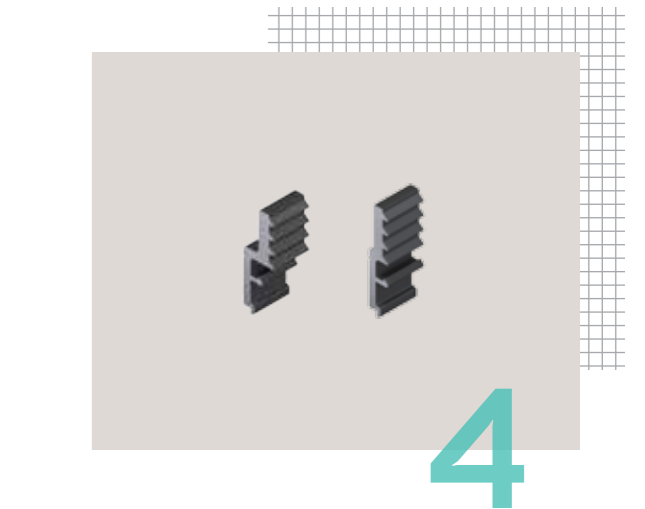
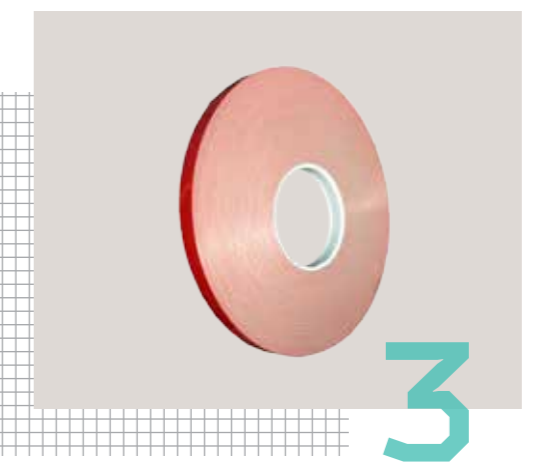
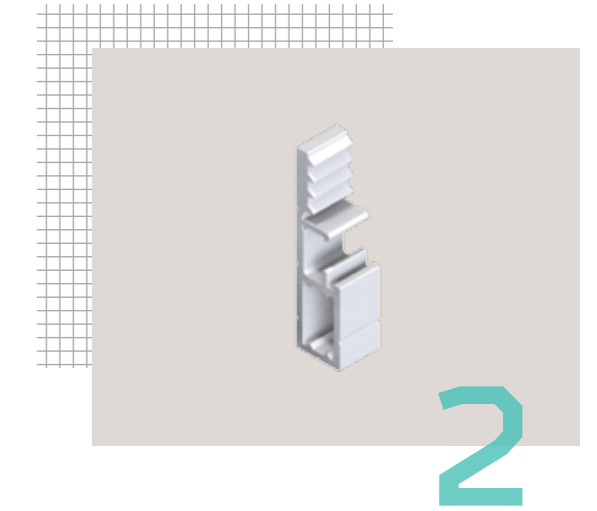
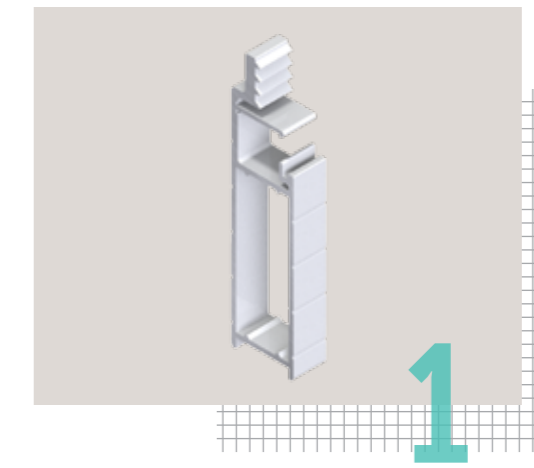
Suitable for use in residential, commercial and industrial situations to protect you, your loved ones and your property.

COMPONENTS

Ulltrasafe is supplied as a complete system, which consists of aluminium framing, stainless steel woven wire mesh, corner infill's and foamed acrylic bonding tape.

PERFORMANCE

Ulltrasafe has been designed to perform year after year in Australia's harsh climate. Supplied throughout Australia, Wintec Systems has the sales and technical support to meet your security requirements.



INDEX: 1. UA10061 Security Screen Door Frame 2. UA10063 Security Screen Window Frame
3. T711BDX12/33 Black Acrylic 12mm x 33mm Double Sided Bonding Tape 4. From left to right:
UA10062 Security Screen Door Bead, UA10064 Security Screen Window Bead 5. From left to right:
STAKE 539 Security Screen Window Spigot, STAKE 626 Security Screen Door Spigot 6. From left to right:
ULL-20 Security Screen Window Corner Infill (colour = black), ULL-40 Security Screen Door Corner Infill (colour = black)